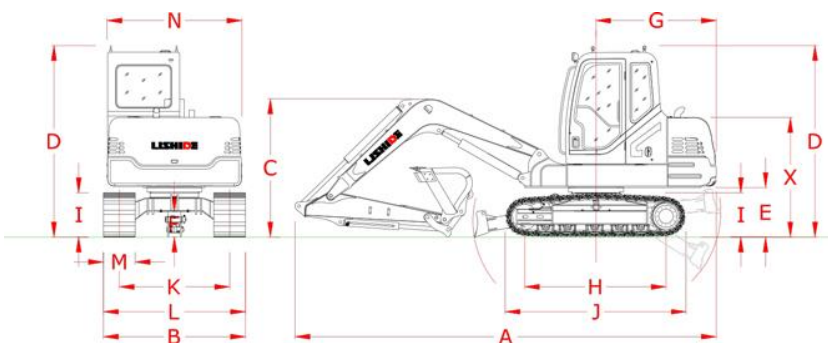
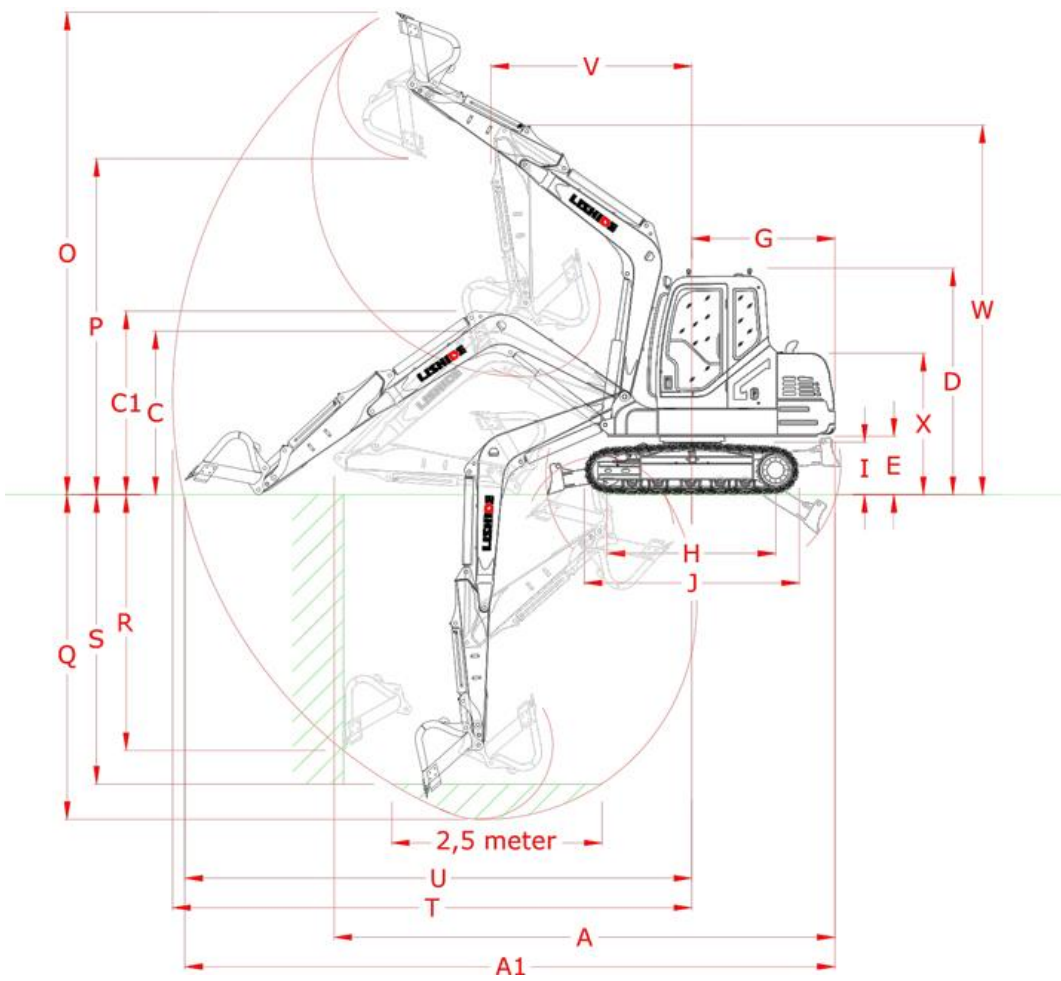


SC60.8



Model SC60.8

Operating weight (Machine equipped with track shoe width 450 mm)	(kg)	5895
Ground pressure (Machine equipped with track shoe width 450 mm)	(kPa)	30,0
Bucket capacity	(m ³)	0,22
Engine power	(kW/h)	35,5
Rated speed	(rpm)	2200
Volume of fuel tank	(L)	100
Maximum travel speed	(km/h)	4.2 / 2.2
Rotating speed	(r/min)	9,5
Maximum gradeability	(%)	70
Bucket digging force	(kN)	38,5
Hydraulic pump model		AP2D25LV1RS7
Maximum flow	(L/min)	110 + 36.6 + 9.9
Working pressure	(mPa)	22,6
Volume of hydraulic tank	(L)	80
Number of track pads		2*40
Number of upper rollers		2*1
Number of bottom rollers		2*5
Arm length	(mm)	1630
Boom length	(mm)	3000
A : Overall length (With arm in short position)	(mm)	5960
A1 : Overall length (With arm in stretched position)	(mm)	7730
B : Overall width (Track shoe width 450 mm.)	(mm)	2010
C : Overall height (To top of boom with arm in short position)	(mm)	1995
C1 : Overall height (To top of boom with arm in stretched position)	(mm)	2180
D : Overall height (To top of cabin)	(mm)	2690
E : Counterweight ground clearance	(mm)	700
F : Minimum ground clearance	(mm)	360
G : Tail swing radius	(mm)	1700
H : Track length on the ground	(mm)	2000
I : Track height	(mm)	622
J : Track Length	(mm)	2560
K : Track gauge	(mm)	1560
L : Total track width (Track shoe width 450 mm.)	(mm)	2010
M : Track shoe width	(mm)	450
M : Other track shoe width are available.	(mm)	On request
N : Width of upper structure	(mm)	1906
O : Maximum digging height	(mm)	5750
P : Maximum dumping height	(mm)	3980
Q : Maximum digging depth	(mm)	3860
R : Maximum digging depth right next to a vertical wall	(mm)	3040
S : Maximum digging depth with a 2,5 meter wide horizontal level	(mm)	3440
T : Maximum digging distance	(mm)	6170
U : Maximum digging distance on ground level	(mm)	6025
V : Minimum swing radius	(mm)	2380
W : Overall height (of the minimum swing radius)	(mm)	4390
X : Overall height (to top of counterweight / backside)	(mm)	1680

Model SC60.8 Machine equipment	Standard	Optional
Adjustable air suspension seat with wrist rests and safety belt	✓	
Clothes hook	✓	
Floor mat	✓	
Coolbox	✓	
Coffee cup / bottle holder	✓	
Rearview mirrors	✓	
Rearview camera(s)		✓
Shock absorbers for the cabin	✓	
Falling objects protection for the cabin		✓
Roll-over protection		✓
Airconditioning and heating	✓	
Radio with usb connection point	✓	
GPS (machine monitoring / theft prevention)		✓
window protecting covers (vandalism / theft prevention)		✓
Electronic theft prevention system		✓
Pin number start interrupter	✓	
Internal / external tool box	✓	
Lockable machine covers	✓	
Window wiper and sprinkler	✓	
Klaxon	✓	
Maintenance free battery	✓	
Side boards on the upper structure of the machine (left/right)		✓
Multiple language settings / English text on instruments / machine parts	✓	
Documents storage compartment	✓	
Safety hammer	✓	
Fire extinguisher	✓	
Warning light(s) / Rotating light(s)		✓
Working lights	✓	
Interior light	✓	
Steel tracks	✓	
Rubber tracks		✓
Steel tracks with rubber pads		✓
Different track width		✓
Track guard full length of undercarriage		✓
Dozer blade	✓	
Hose breakage protection / non return valves	✓	
Adjustable flow control for additional equipment	✓	
Protection cover(s) for cylinders		✓
Additional hydraulic connection with quick coupling		✓
Hydraulic oil cooler	✓	
Automatic lubrication system		✓
Hydraulic quick coupler for easy change of buckets / attachments		✓
Different types boom and arm (different lengths)		✓
Different type of buckets / attachments		✓
Machine finishing, color according to customer specifications		✓
Special customer requirements are negotiable.		