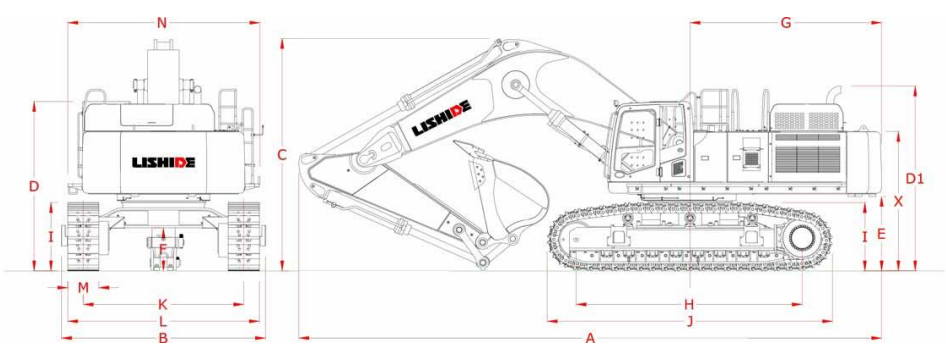
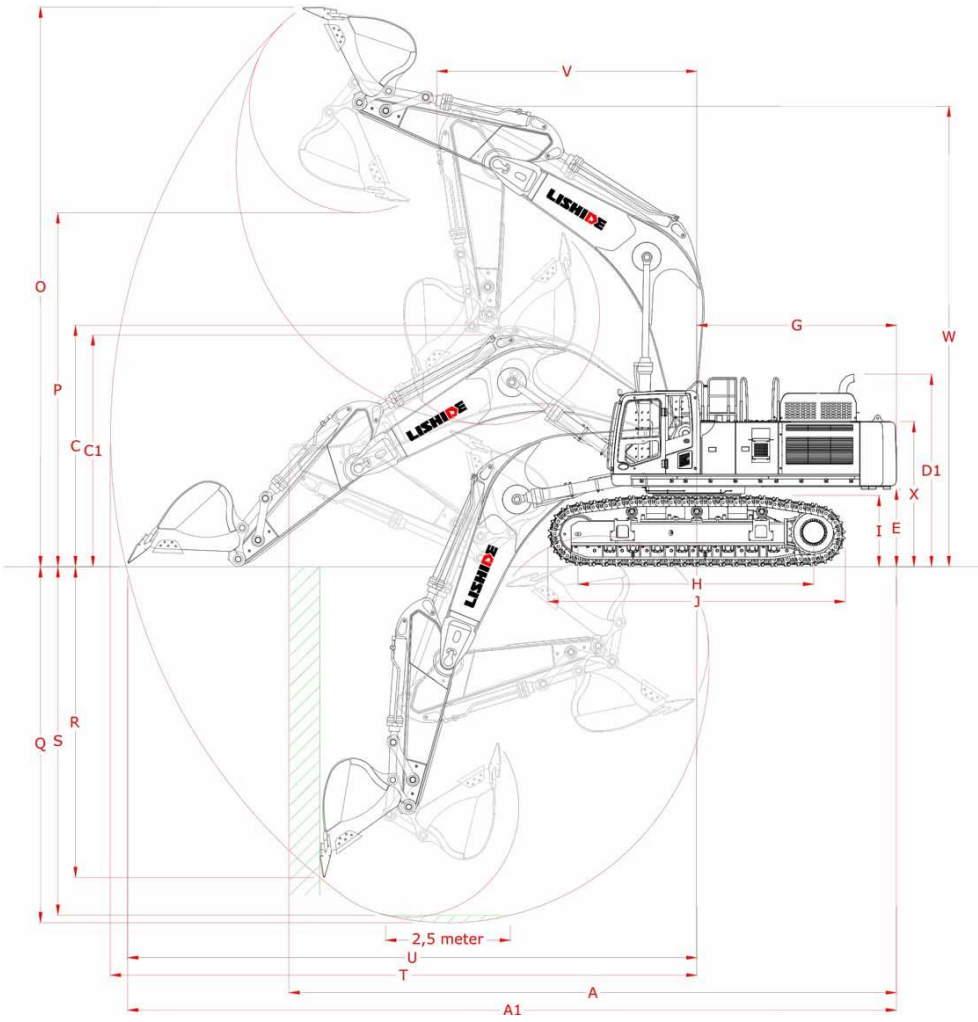


SC760.8



Model SC760.8

Operating weight (Machine equipped with track shoe width 650 mm)	(kg)	71200
Ground pressure (Machine equipped with track shoe width 650 mm)	(kPa)	100,0
Bucket capacity	(m ³)	4
Engine power	(kW/h)	354
Rated speed	(rpm)	1800
Volume of fuel tank	(L)	950
Maximum travel speed	(km/h)	4.8 / 3.0
Rotating speed	(r/min)	7,2
Maximum gradeability	(%)	70
Bucket digging force	(kN)	300 ~ 328
Hydraulic pump model		K3V280DT
Maximum flow	(L/min)	450*2
Working pressure	(mPa)	31.4 ~ 34.3
Volume of hydraulic tank	(L)	335
Number of track pads		2*48
Number of upper rollers		2*3
Number of bottom rollers		2*8
Arm length	(mm)	3020
Boom length	(mm)	6600
A : Overall length (With arm in short position)	(mm)	12170
A1 : Overall length (With arm in stretched position)	(mm)	15400
B : Overall width	(mm)	4256
C : Overall height (To top of boom with arm in short position)	(mm)	5050
C1 : Overall height (To top of boom with arm in stretched position)	(mm)	4650
D : Overall height (To top of cabin)	(mm)	3527
D1 : Overall height (To top of exhaust pipe)	(mm)	3852
E : Counterweight ground clearance	(mm)	1551
F : Minimum ground clearance	(mm)	898
G : Tail swing radius	(mm)	4000
H : Track length on the ground	(mm)	4720
I : Track height	(mm)	1422
J : Track Length	(mm)	5957
K : Track gauge	(mm)	3350 (2750)
L : Total track width (Track shoe width 650 mm.)	(mm)	4000 (3400)
M : Track shoe width	(mm)	650
M : Other track shoe width are available.	(mm)	On request
N : Width of upper structure	(mm)	4010
O : Maximum digging height	(mm)	11200
P : Maximum dumping height	(mm)	7040
Q : Maximum digging depth	(mm)	7190
R : Maximum digging depth right next to a vertical wall	(mm)	6800
S : Maximum digging depth with a 2,5 meter wide horizontal level	(mm)	7040
T : Maximum digging distance	(mm)	11750
U : Maximum digging distance on ground level	(mm)	11400
V : Minimum swing radius	(mm)	5200
W : Overall height (of the minimum swing radius)	(mm)	9230
X : Overall height (to top of counterweight / backside)	(mm)	2900

Model SC760.8 Machine equipment	Standard	Optional
Adjustable air suspension seat with wrist rests and safety belt	✓	
Clothes hook	✓	
Floor mat	✓	
Coolbox	✓	
Coffee cup / bottle holder	✓	
Rearview mirrors	✓	
Rearview camera(s)		✓
Shock absorbers for the cabin	✓	
Falling objects protection for the cabin		✓
Roll-over protection		✓
Airconditioning and heating	✓	
Radio with usb connection point	✓	
GPS (machine monitoring / theft prevention)		✓
window protecting covers (vandalism / theft prevention)		✓
Electronic theft prevention system		✓
Pin number start interrupter	✓	
Internal / external tool box	✓	
Lockable machine covers	✓	
Window wiper and sprinkler	✓	
Klaxon	✓	
Maintenance free battery	✓	
Side boards on the upper structure of the machine (left/right)	✓	
Multiple language settings / English text on instruments / machine parts	✓	
Documents storage compartment	✓	
Safety hammer	✓	
Fire extinguisher	✓	
Warning light(s) / Rotating light(s)		✓
Working lights	✓	
Interior light	✓	
Steel tracks	✓	
Rubber tracks		✓
Steel tracks with rubber pads		✓
Different track width		✓
Track guard full length of undercarriage		✓
Hose breakage protection / non return valves	✓	
Adjustable flow control for additional equipment	✓	
Protection cover(s) for cylinders		✓
Additional hydraulic connection with quick coupling		✓
Hydraulic oil cooler	✓	
Automatic lubrication system		✓
Hydraulic quick coupler for easy change of buckets / attachments		✓
Different types boom and arm (different lengths)		✓
Different type of buckets / attachments		✓
Machine finishing, color according to customer specifications		✓
Special customer requirements are negotiable.		