

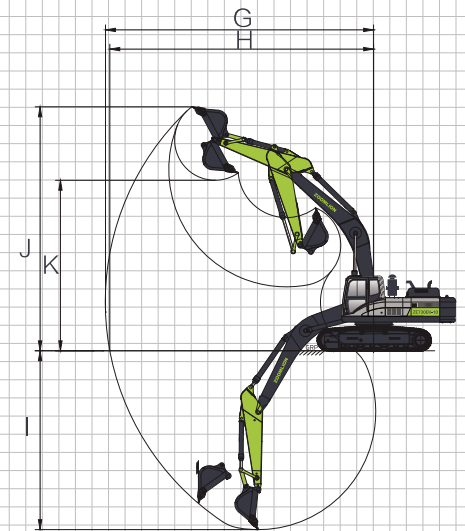
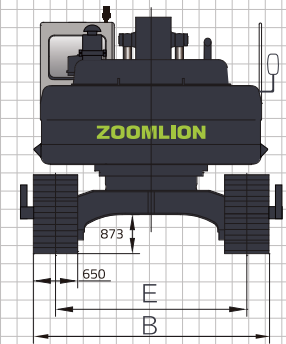
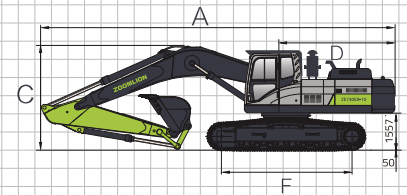
# CRAWLER EXCAVATOR ZE730EK-10



**ZOOMLION**

# CRAWLER EXCAVATOR ZE730EK-10

	Items	ZE730E-10	ZE730EK-10
Basic Technical Data	Operating Weight	73000 kg	73000 kg
	Standard Capacity	5.1 m <sup>3</sup>	4.1 m <sup>3</sup>
	Slewing Speed	7.1 r/min	7.1 r/min
	Traveling Speed(high/low)	4.1/2.8 km/h	4.1/2.8 km/h
	Max. Drawbar Pull	552 kN	552 kN
	Digging Force of Bucket	403 kN	403 kN
	Digging Force of Stick	300 kN	337 kN
Engine	Engine Manufacturer	CUMMINS	CUMMINS
	Engine Model	QSX15	QSX15
	Rated Power	391 kW / 1800 rpm	391 kW / 1800 rpm
	Displacement	14.9 L	14.9 L
	Emission Standard	EU Stage IIIA	EU Stage IIIA
Dimensions	A : Length	12285 mm	12565 mm
	B : Width	4224 mm	4224 mm
	C : Height	4755 mm	4675 mm
	D : Tail Slewing Radius	4000 mm	4000 mm
	E : Track Gauge	2740/3300 mm	2740/3300 mm
	F : Length of Track On Ground	4690 mm	4690 mm
Operating Range	G : Max. Digging Radius	11760 mm	11440 mm
	H : Max. Digging Reach	11490 mm	11160 mm
	I : Max. Digging Depth	7085 mm	6695 mm
	J : Max. Digging Height	11430 mm	11220 mm
	K : Max. Dumping Height	7515 mm	7420 mm



**ZOOMLION**

**Zoomlion Heavy Industry Science & Technology Co.,Ltd.**

Add: No.361, South Yinpen Road, Changsha, Hunan Province, P.R.China 410013

Email: earthmoving@zoomlion.com

Copyright©2023 Zoomlion. All rights reserved. Reproduction and copying of any part of contents is not allowed for any purposes without Zoomlion's approval.

Note: Materials and specifications are subject to change without notice. Featured machines in photos may include additional equipment.

